

# LTECH



## LED Remote - V5

### Datasheet

[www.ltech-led.eu](http://www.ltech-led.eu) | ©2019 | Ltech Europe | All Rights Reserved.

## Technical Specs

---

### General

Functions	Remote, Wall-mount
-----------	--------------------

---

### Lighting specs

Color range	Single Color
-------------	--------------

---

### Electronics

Power Supply	Not applicable
--------------	----------------

---

### Control Characteristics

Output	RF
--------	----

Dimming Protocol	Manual
------------------	--------

Remote Distance	30m
-----------------	-----

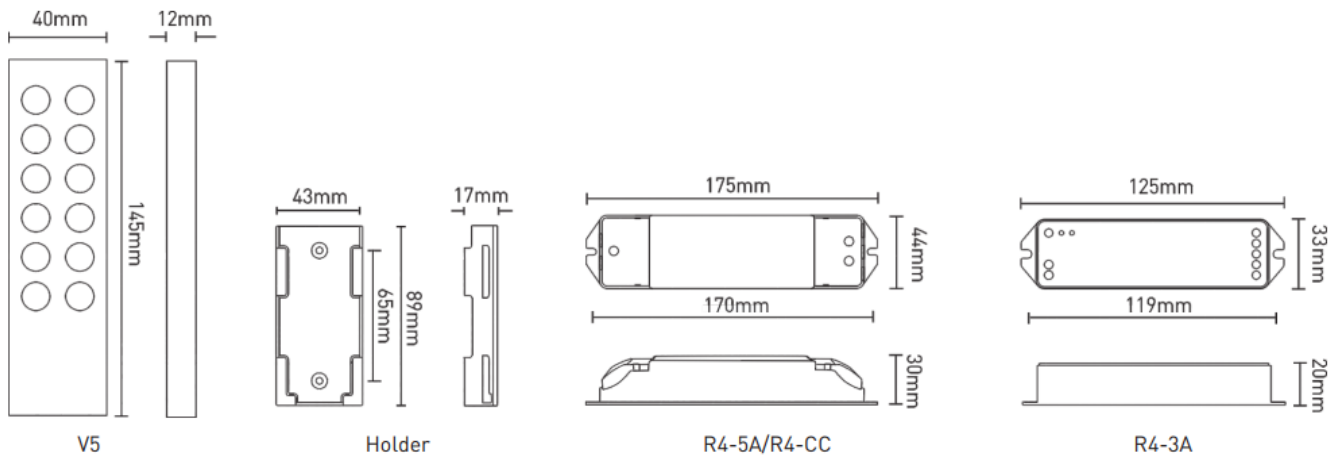
---

### Environmental

Ingress protection	IP44
--------------------	------

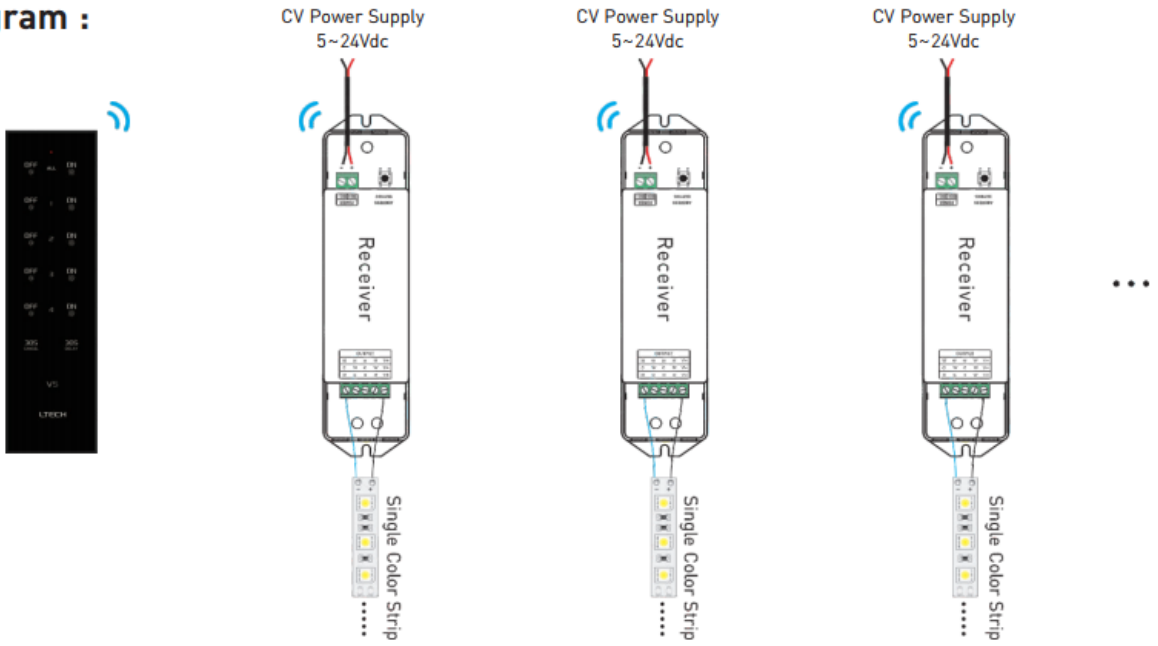
Operating temperature	-20 ~ 50 °C
-----------------------	-------------

### Technical Drawings



# Wiring Diagrams

## Wiring Diagram :



## Order information

Code	Description
22575	LED Remote - V5

## Related Products

Product name	
LED Receiver WiFi/DX/V 4x3A - R4-3A	<a href="#">See Online</a>
LED Receiver Wifi/DX/V 4xCC - R4-CC	<a href="#">See Online</a>
LED Receiver WiFi/DX/V 4x5A - R4-5A	<a href="#">See Online</a>

